

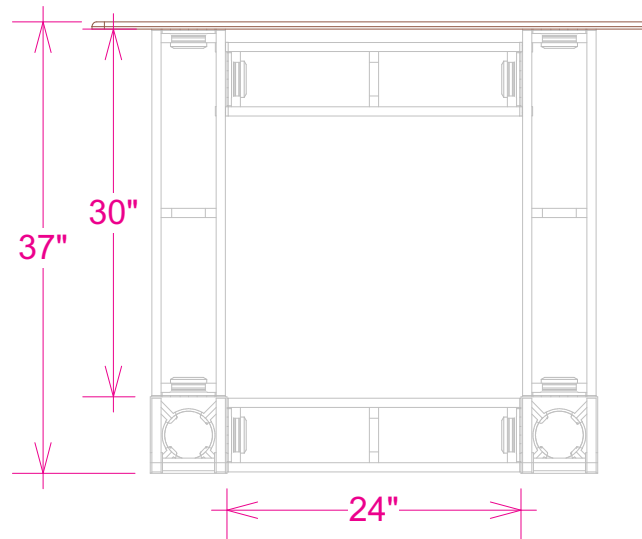
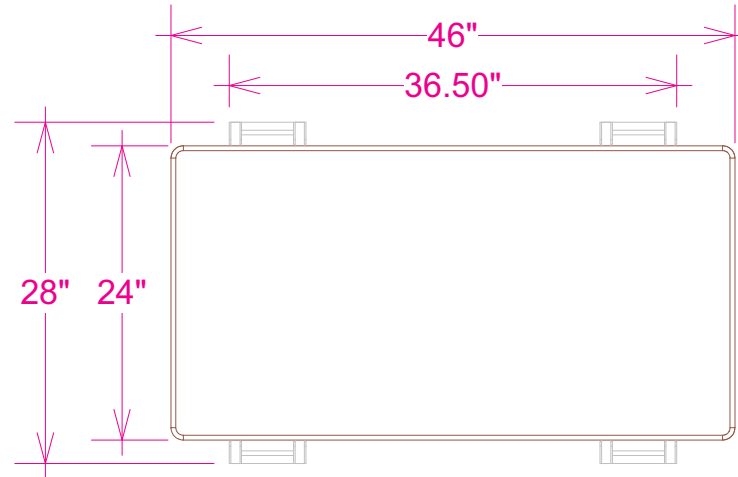
3D Rendering:

Rectangle Truss Counter, [OR-TC01]



Dimensions:

Rectangle Truss Counter, [OR-TC01]



Color Coded Parts:

Rectangle Truss Counter, [OR-TC01]

