

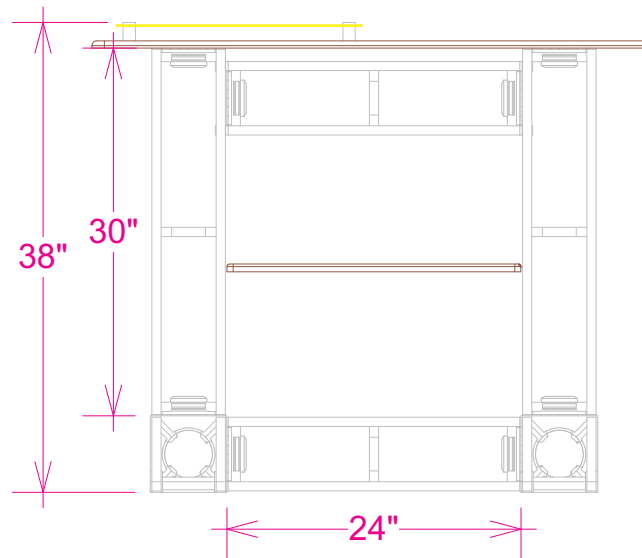
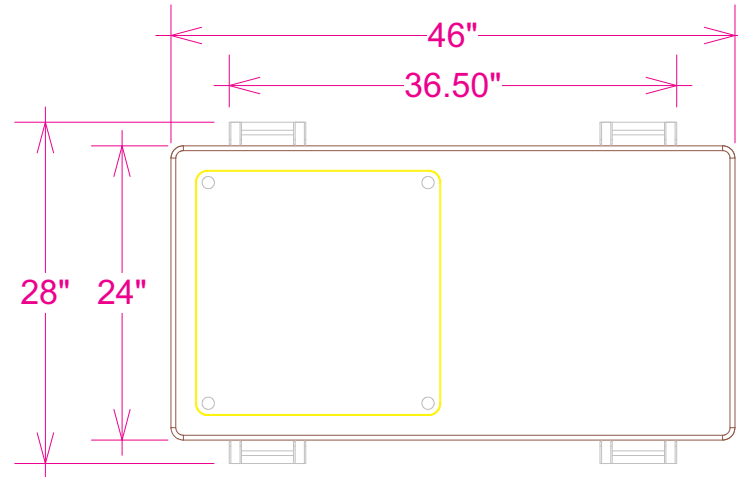
3D Rendering:

Rectangle Truss Counter, [OR-TC01-P]



Dimensions:

Rectangle Truss Counter, [OR-TC01-P]



Color Coded Parts:

Rectangle Truss Counter, [OR-TC01-P]

