

Standalone Workstation, total height 7'2":

- A. 3" wide hyperlite tubes
- B. EZ6 Flat Serpentine Truss Accents
- C. Laminate* CPU Shields: 14"D at base, 27"H at point, interior floor at 20" x 15"
- D. Header Frame: 25"W x 11.5"H
- F. Adjustable Height EZ6 Flat bar (not visible) for monitor mounting. Monitor not included.
- G. Laminate* Keyboard Shelf: 23"W x 14"D

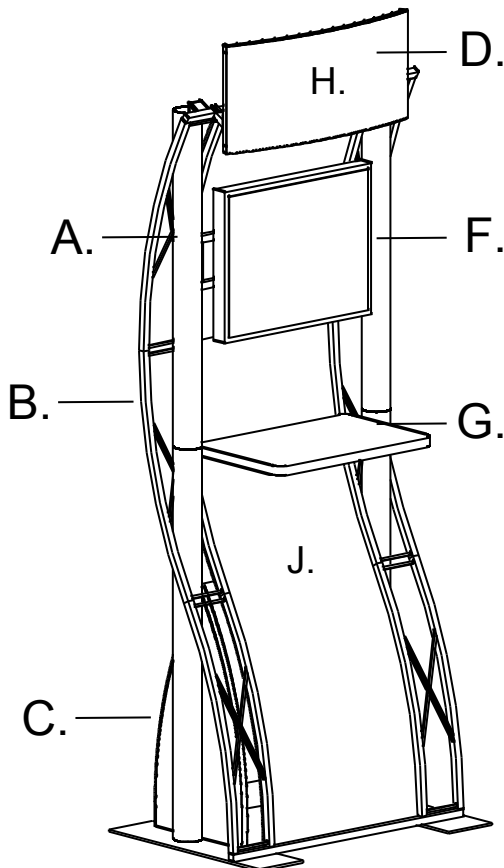
*Available in a selection of colors. Velcro adhering black fabric at extra charge.

Graphics Package:

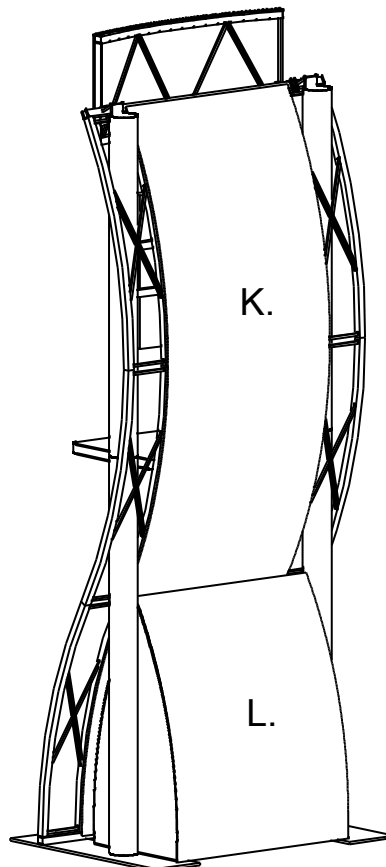
- H. 1 - Header, Full Color on Polystyrene with magnet: 25"W x 11.5"H
- J. 1 - Single Sided Full Color dye sublimation on fabric w/velcro attach: 21.75"W x 82.25"H
- K. 1 - Double sided graphic* dye sublimation on fabric w/velcro attach: 21.75"W x 82.25"H (optional)
- L. 1 - CPU cover graphic, Full Color on Polystyrene with magnet: 23"W x 29"H

*velcro hemmed to back perimeter, bottom 25" on back is not visible.

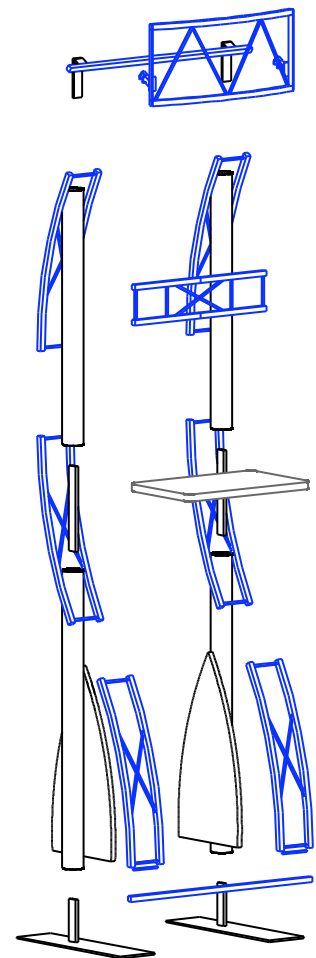
Total height 7'2"
Total width 32"
Total depth 24"



Front



Back



Exploded Part View