

The Rocket portable outdoor sign system is particularly suited to pavement advertising.

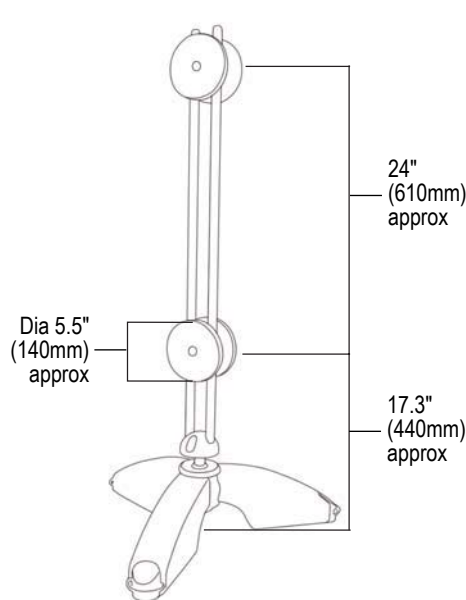
The base can be filled with water for stability and the spring-loaded graphic support provides the flexibility needed to handle the outdoor elements.

The unit is ideal for fixing die cut rigid substrate graphics for more creative high impact displays.



Features & Benefits

- Weather resistant
- Single or double-sided option
- Hollow feet for water weighting
- Spring pivot for swing motion
- Maximum graphic area width: 24" (610mm)
Height: 36" (915mm)
- Lightweight rigid graphic may be die-cut



Self-adhesive fixing for single or double-sided graphics

hardware specifications

Width	
Height without graphic (approx.)	45.25" (1150mm)
Depth	
Footprint (approx.)	21.6" x 21.6" (549mm x 549mm)
Weight when empty (approx.)	4.4 lbs (2 kg)
Weight when filled with water (approx.)	17.6 lbs (8 kg)
Feet hold 3 gallons of water (6 liters)	

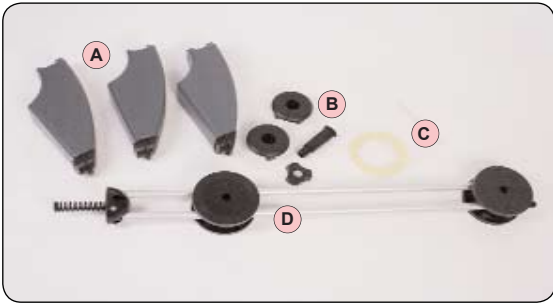
graphic specifications

Maximum recommended graphic dimensions	
Width (approx.)	24" (610mm)
Height (approx.)	36" (915mm)
Recommended Substrate:	
1/8" (3mm) thick foamboard for indoor use	
Solvent inkjet adhesive backed print applied to 4 mil white corr-u-plast for outdoor use. Not recommended for use with sintra or any other PVC based products.	

additional info

Shipping dimensions	Weight
42" x 13" x 5" (1067mm x 330mm x 127mm)	9 lbs
Kit Includes:	3 x hollow feet 1 x base clamp & fixings 4 x self-adhesive rings 1 x pole/spring assembly
Availability:	Dark grey base with silver/black fixings
Bag Material:	

Rocket Assembly Instructions



Kit includes: 3 x hollow feet (A), 1 x Base clamp & fixings (B), 4 x Self-adhesive rings (C) and 1 x Pole/spring assembly (D)



1 Unscrew the lid on each foot and fill with water. (approx 1 gal / 2 Litres)



2 Slide the foot onto one half of the base clamp. Repeat for the other feet.



3 When all three feet are attached, slide on the other half of the base clamp.



4 Assembled base.



5 Slot the plastic insert over the pole/spring assembly.



6 Slide the pole/spring assembly into the base.



7 Secure the pole/spring assembly to the base using the plastic nut.



8 Peel off the backing paper and mount the self-adhesive rings to the unit.



Simply fasten graphics to the unit using the self-adhesive rings.