

The Monsoon "A" Frame Outdoor Banner

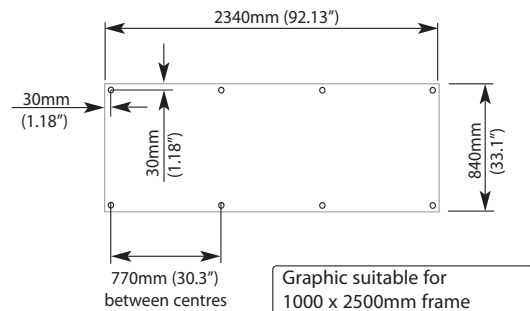


A large format banner 'A' frame made from lightweight aluminium, ideal for use with PVC eyelet banners. Available in two sizes Monsoon is very easy to use, reusable and is the perfect graphics carrier for venues, events, exhibitions, promotions and indoor or outdoor shows.

features & benefits

- Indoor or outdoor banner system
- Suitable for single or double sided display
- Natural finish 25mm (1") square aluminium tubes with reinforced plastic mouldings
- Easy push-fit assembly, no tools necessary
- Graphics are secured to the frame with elastic bungee cords
- Supplied complete carry bag
- Flat packs for easy transportation
- Recommended for use in wind conditions upto Beaufort Scale 5

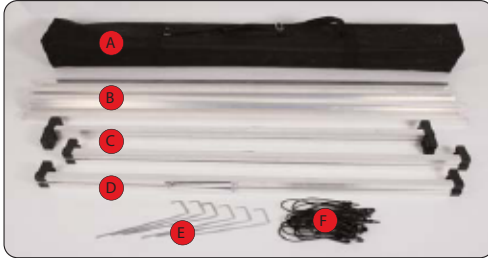
Graphic dimensions & eyelet locations



hardware specifications	graphic specifications	additional info
<p>Assembled Dimensions (mm) 1000 x 2500 frame 975 (h) x 2500 (w) x 640 (d) approx 38.39" (h) x 98.43" (w) x 25.20" (d) approx</p> <p>Weight (including carry bag): 1000 x 2500 frame 8kg (17.6lbs) approx.</p>	<p>Visible Graphic Dimensions (mm): As above diagrams</p> <p>Substrate: Lightweight outdoor banner material (solid or mesh type substrates)</p> <p>Eyelets: Graphic requires 8 off eyelets with 11.5mm (0.45") recommended minimum internal diameter.</p>	<p>Recommended Accessories: 1250mm x 150mm diameter cardboard/tube carry bag for transporting graphics</p>

We are continually improving and modifying our product range and reserve the right to vary the specifications without prior notice. All dimensions and weights quoted are approximate and we accept no responsibility for variance. E&OE.

Assembly Instructions



Kit Includes:

Carry bag (A) Horizontal tube x8 (B)

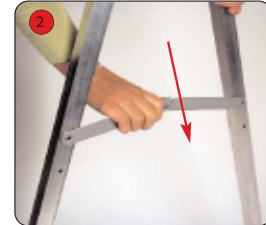
Centre 'A' frame x1 (C) End 'A' frame x 2 (D)

Ground peg x6 (E) and Elastic bungee cord x24 (F)

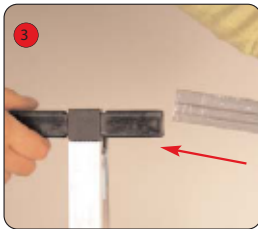
Frame assembly



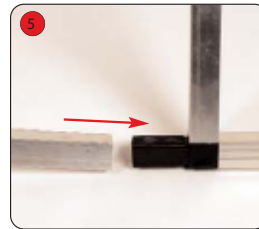
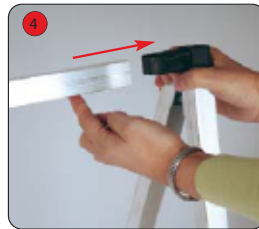
Open up all the End and Centre 'A' frames



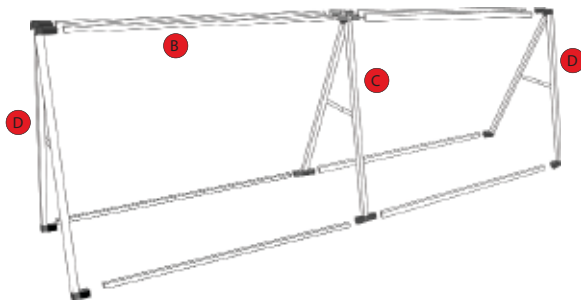
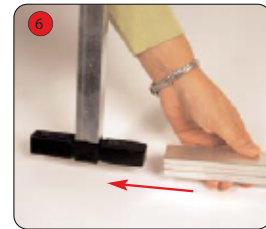
Push each locking arm down to secure the frame



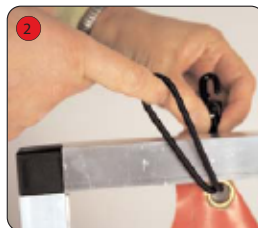
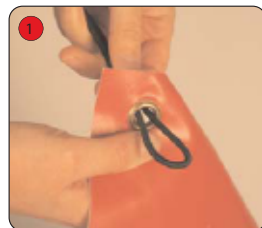
Push fit the top horizontal tubes into the 'A' frames, ensure the plastic joiners face inwards



Push fit the bottom horizontal tubes into the 'A' frames, ensure the plastic joiners face inwards



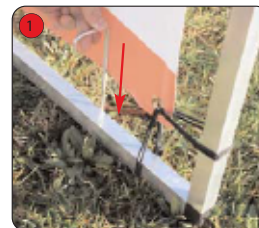
Graphic attachment



Pass the elastic bungee cord through the graphic eyelet and around the frame to secure

Corner eyelets require a bungee cord loop around the top and the side of the frame to secure

Ground peg fixing



To secure the frame to grassed areas, push or hammer the ground peg into the ground



Ensure the ground peg covers the horizontal tube