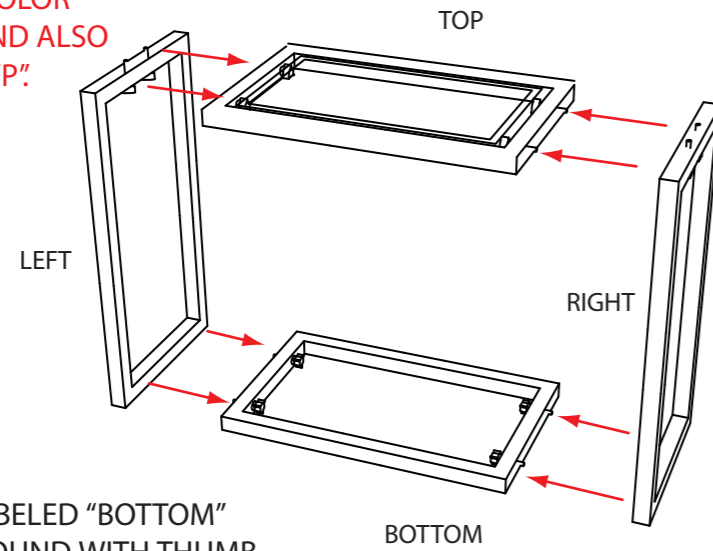


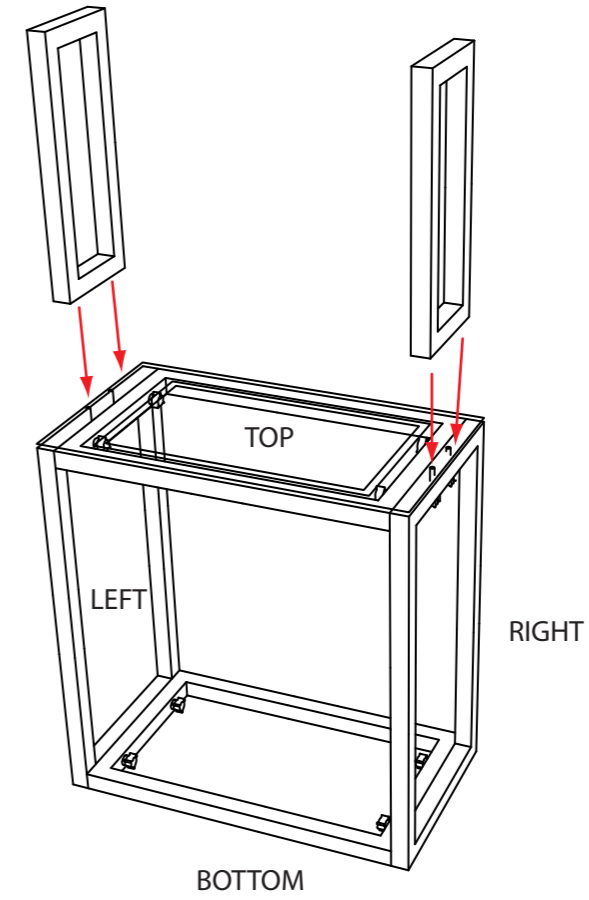
**SINGLE COUNTER ASSEMBLY**

\* ALL CONNECTION POINTS ARE NUMERICALLY / COLOR COORDINATED AND ALSO MARKED WITH A "P".

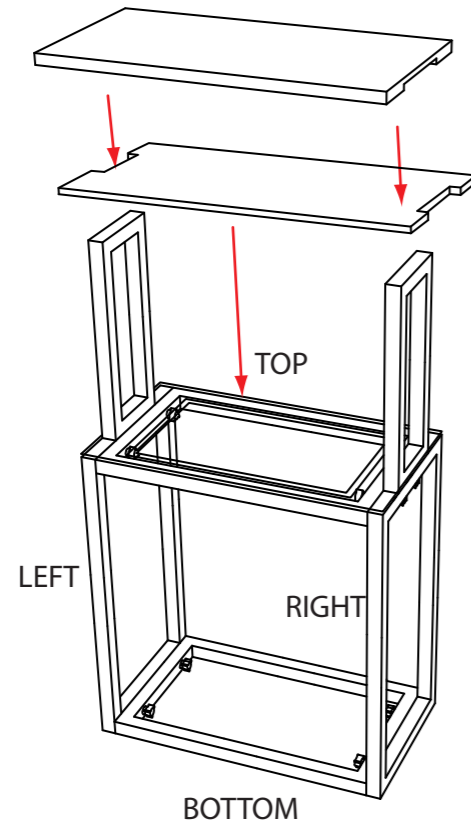


1. LIE PART LABELED "BOTTOM" ON THE GROUND WITH THUMB SCREWS FACING OUTWARD. THEN ATTACH ALL PARTS. REPEAT ON OTHER UNIT.

2. ATTACH COUNTER TOP SUPPORTS TO THE THUMB SCREWS ON THE "RIGHT" AND "LEFT" PARTS.



3. PLACE THE FRAME AND COUNTER TOP.



4. SECURE UNITS AND MOVE INTO THE DESIRED LOCATION.

