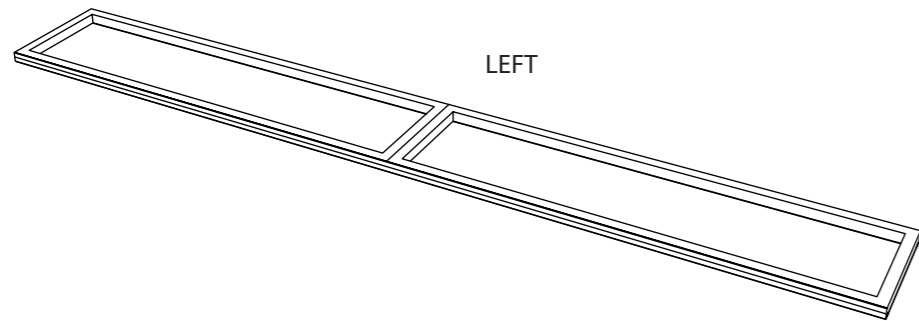
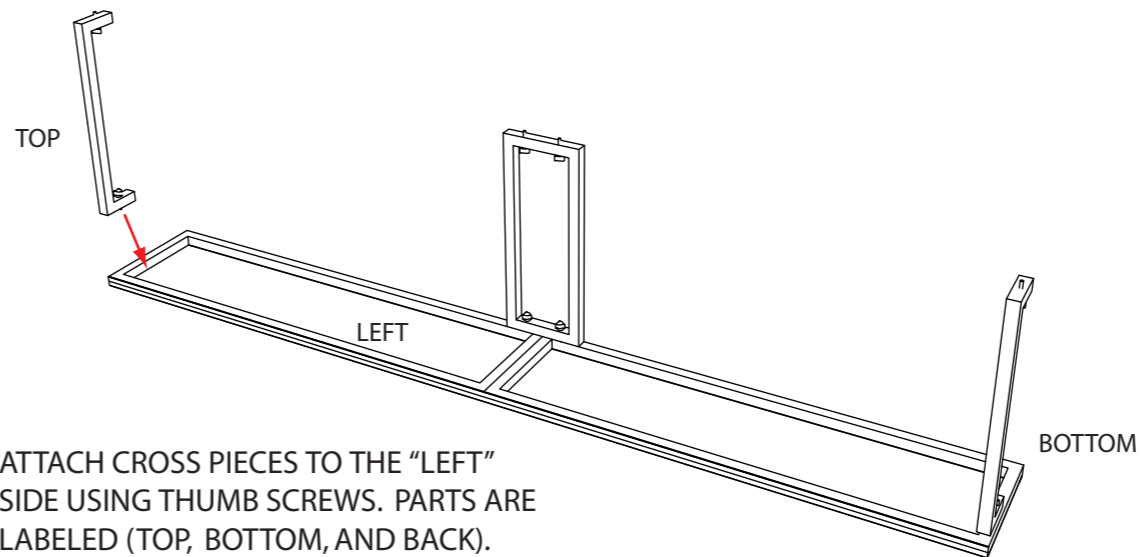


**SINGLE TOWER ASSEMBLY**

\* ALL CONNECTION POINTS ARE NUMERICALLY AND COLOR COORDINATED.

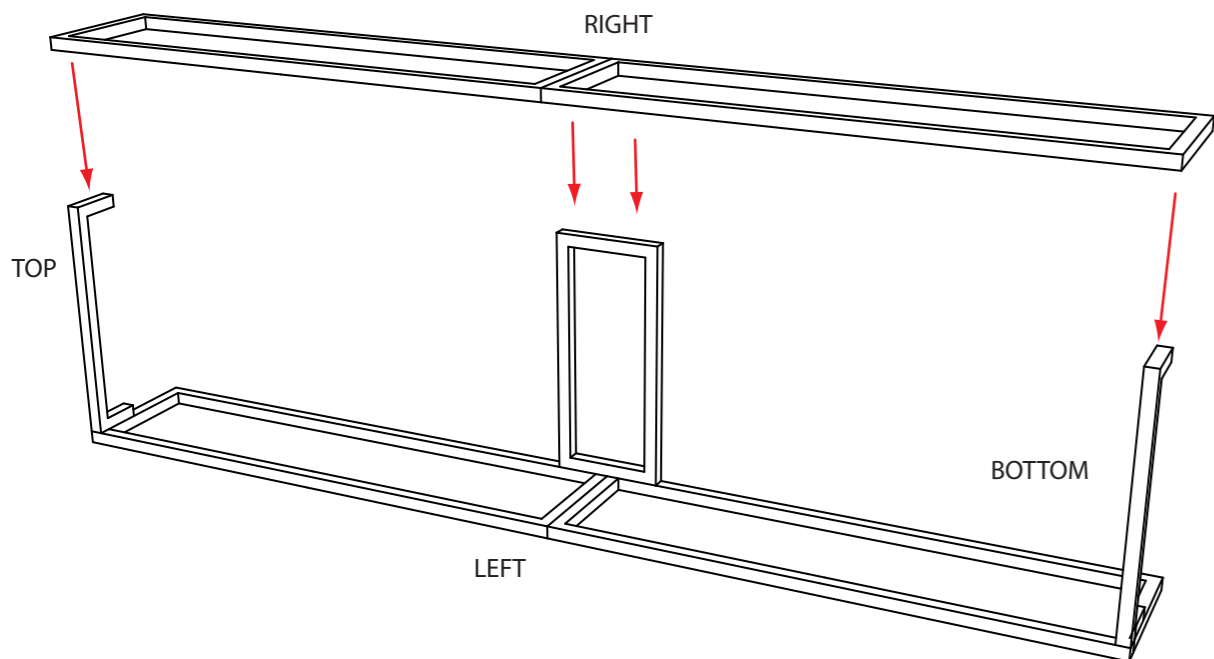


1. LIE HINGED PART LABELED "LEFT" ON THE GROUND WITH THREADED INSERTS FACING UP.



2. ATTACH CROSS PIECES TO THE "LEFT" SIDE USING THUMB SCREWS. PARTS ARE LABELED (TOP, BOTTOM, AND BACK).

3. LIE HINGED PART LABELED "RIGHT" ON TOP OF THE ATTACHED CROSS PIECES AND TIGHTEN THUMB SCREWS.



4. ATTACH CENTER BAR. THEN SLOWLY STAND THE TOWER AND MOVE INTO ITS DESIRED LOCATION.

